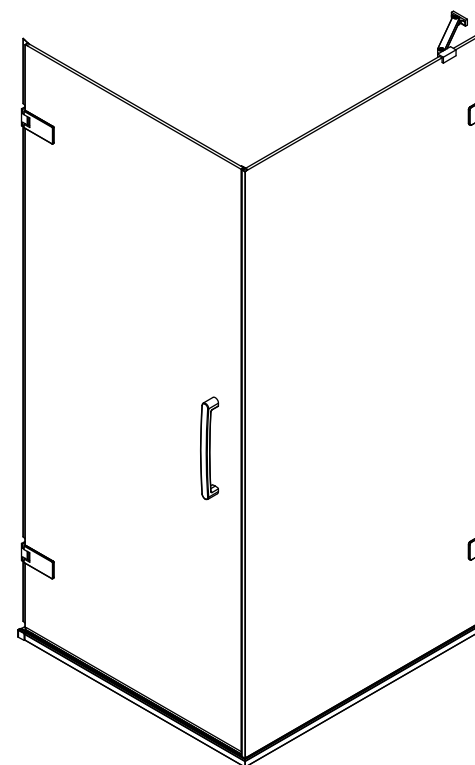


Wall Hinge Door with Side Panel



www.merlynshowering.com

MERLYN

Merlyn Showering
Unit 8, Purcellsinch Industrial Park,
Dublin Road, Kilkenny, Ireland.
Tel: 00353 56 779 1555
Fax: 00353 56 779 1576
www.merlynshowering.com

To download the Declaration of Performance (DOP) for
this product please use the link below.
<https://merlynshowering.com/aftersales-support/dop-certs/>


INSTALLATION GUIDE

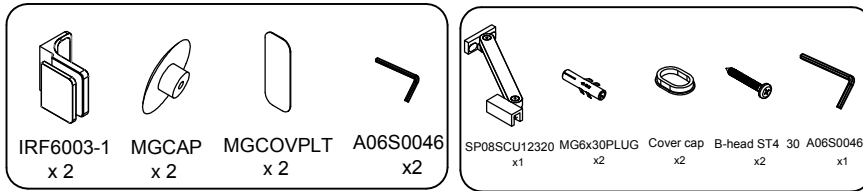
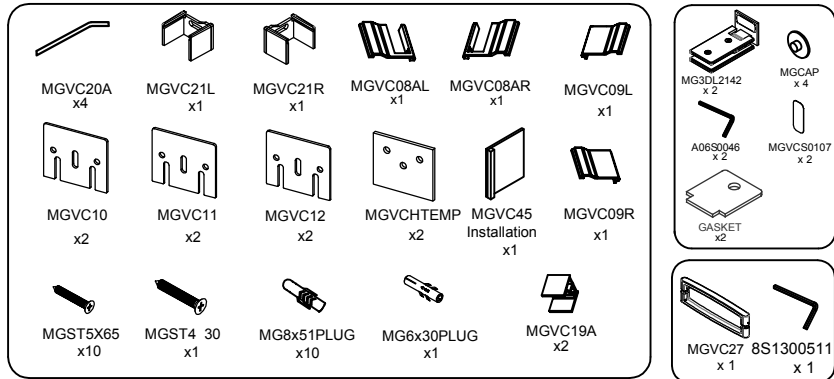
IMPORTANT: Please read the complete instructions before commencing fitting.

Make sure the tray is 100% level in all directions.
 Check that you have the tools required.☐
 Check the installation site is compatible with the sizes of door supplied.☐
 Check all the enclosure components are present.☐
 Check the installation kit is complete.☐
 Do Not attempt to install the product unless you can tick all 4 boxes satisfactory.
 The wall plugs supplied with the installation kit are for use in solid walls. Hollow or 'stud partition' walls will require alternative fixings. Please consult a hardware supplier for the correct type.

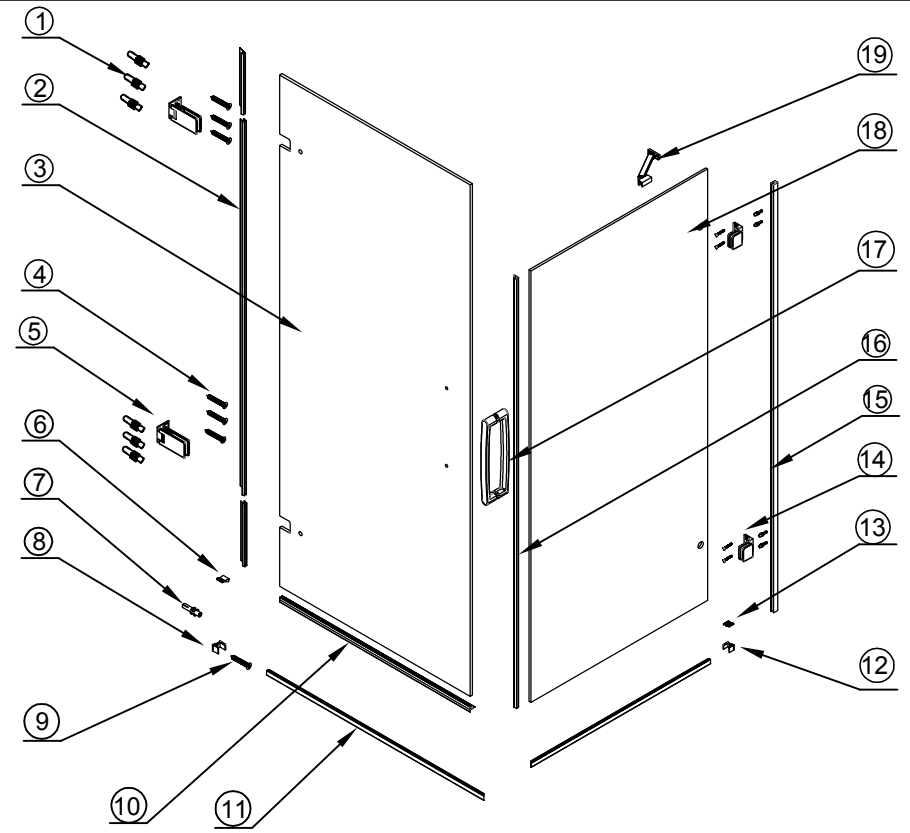
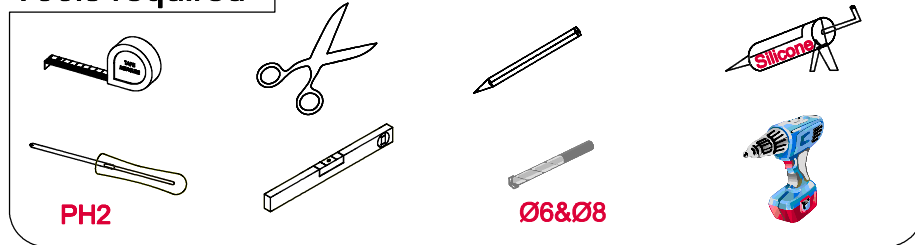
ATTENTION: TAKE EXTREME CARE WHEN HANDLING GLASS, WEAR PROTECTIVE EYEWEAR AND CLOTHING. DO NOT LEAVE THE GLASS ON HARD SURFACES AND AVOID CONTACT BETWEEN THE GLASS EDGES AND HARD SURFACES OR IMPACTS DURING THE INSTALLATION.

Fixing kit components

 Note: Extra components have been supplied to make this product suitable for left or right hand configuration and therefore some parts will be surplus to requirements.



Tools required

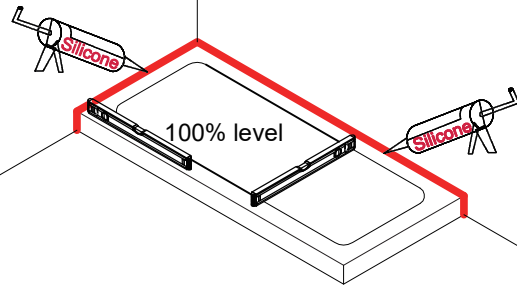
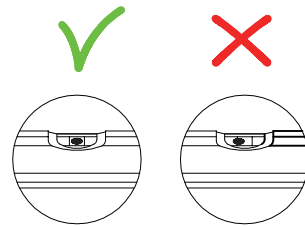


No.	QTY	Descriptions	Part No.	No.	QTY	Descriptions	Part No.
①	10	Wall plug 8x51	MG8x51PLUG	⑪	2	Bottom track	GHKG
②	1	Upright water seal set left/right	MGVC32LSET /RSET	⑫	1	Bottom bracket right/left	MGVC21R/L
③	1	Door panel	GMGDPB	⑬	1	Cover cap of bottom bracket right/left	MGVC08AR/L
④	10	Screw 5 65	MGST5X65	⑭	2	Wall to Glass Bracket	IRF6003-1
⑤	2	Hinge	MG3DL2142	⑮	1	Wall profil	MGVCWPSET-SS
⑥	1	Cover cap of bottom bracket left/right	MGVC09L/R	⑯	1	Side panel closing seal 1990mm	MGVC41A
⑦	1	Wall plug 6x30	MG6x30PLUG	⑰	1	Main Handle	MGVC27
⑧	1	Bottom bracket left/right	MGVC21L/R	⑱	1	Side panel	GHSA
⑨	1	Screw 4 30	MGST4 30	⑲	1	Angled Stabilising Bar-350mm-wall to glass	SP08SCU12320
⑩	1	Bottom water seal	MGVC30B				

Step 1

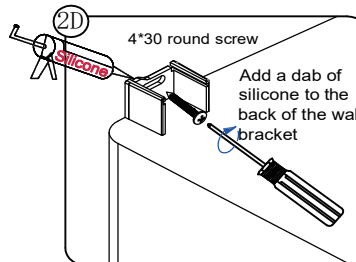
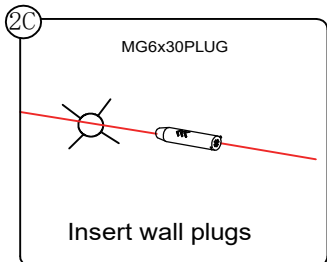
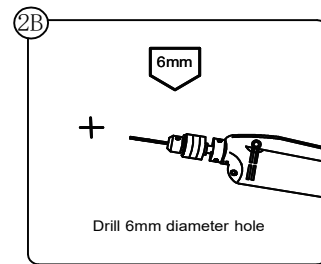
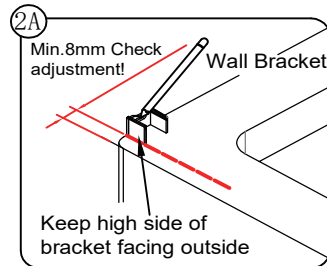
IMPORTANT!

Whether fitting on a tray or on a tiled Wetroom the tray or floor must be 100% level !



Step 2

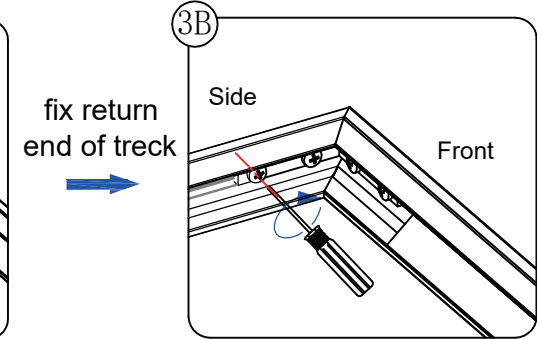
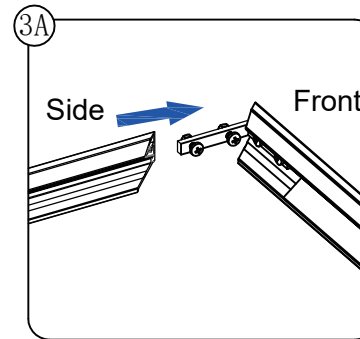
Fitting bracket to the end of track(door side).On bracket(MGVC21)with no slot remove cap.Position brackets 8mm inwards from edge of tray. Mark wall through slot. Drill 6mm diameter hole centre of slot and fix bracket hinge fixing side.
Note: Bracket to Side panel side is not to be fixed! Add a dab of silicone to the back of the wall bracket and fix with 4x30 screws.



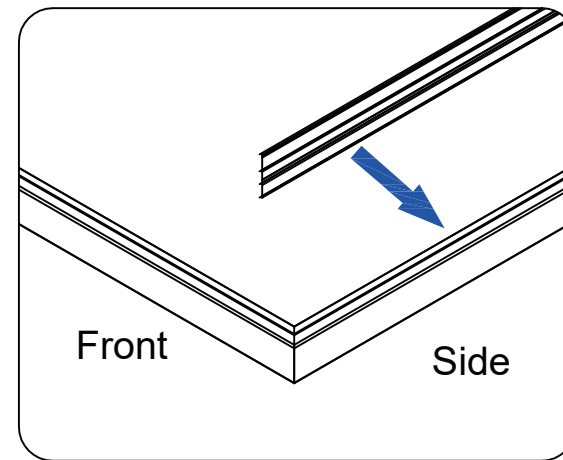
3

Step 3

Loosen both nuts enough to allow the nuts to slide into the groove in the side panel track.(Note:Do not remove nuts from bolt). Ensure joint closes fully and tighten, silicone inside of joint.



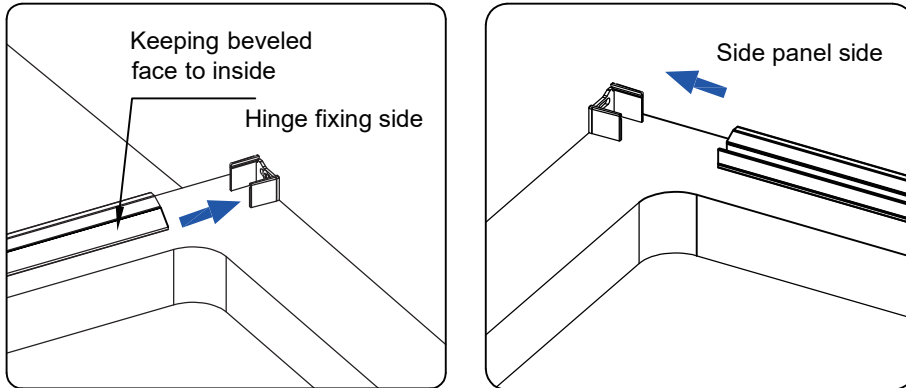
Step 4 Insert the glass fixing profile into the side section of the bottom track.



4

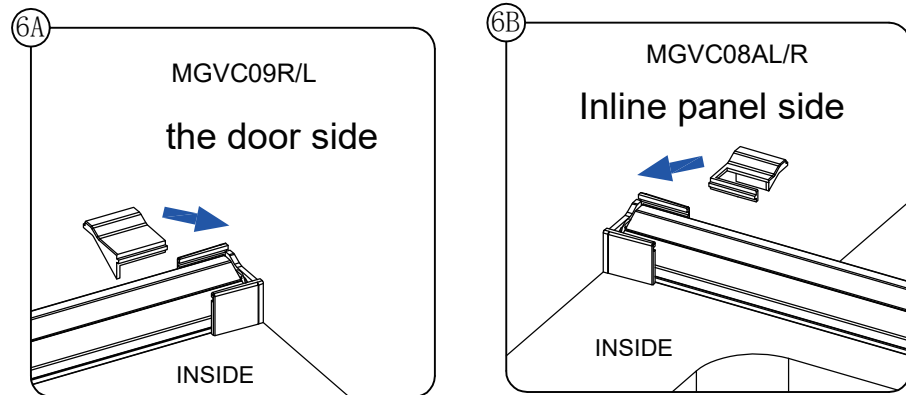
Step 5

Fit the assembled track into the end brackets and slide on cover caps.



Step 6

Slide caps into position. To the door side fit cap shown in 9A, for the fixed panel side use cap shown in 9B.



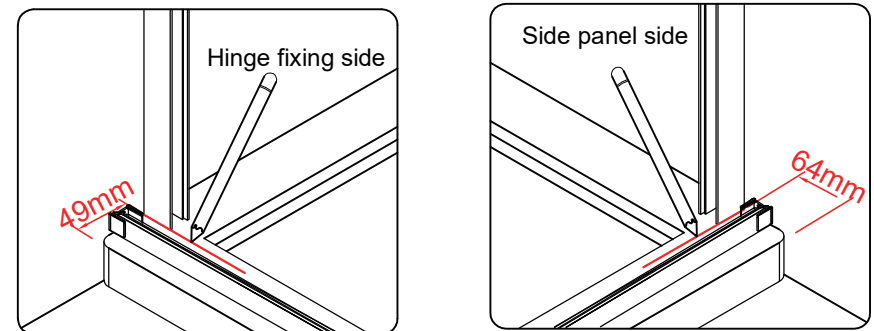
5

Step 7



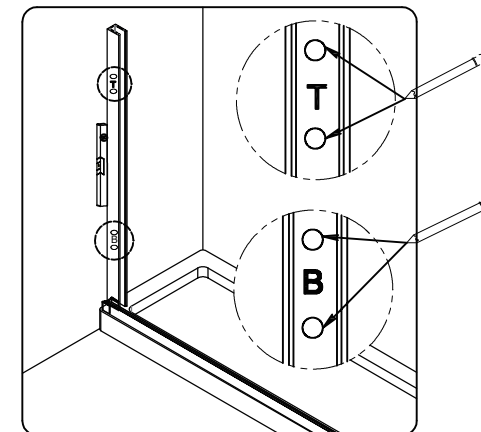
WARNING ! Note the wall profile is used as a template to mark the hinge hole positions and the step in distance for template is different for marking hinged panel and inline panel positions. For hinges step in is 49mm and inline panel bracket step in is 64mm. Make sure you note the handing before you proceed.

For the door side mark a line inwards 49mm from outside edge of tray. For Side panel side mark a line 64mm from the outside of the tray.



Step 8-1

Note the position of the labels on the wall profile. Make sure Label 'T' is to the top and 'B' is to the bottom. Line up the outside edge of the profile with the mark and plumb vertical. Mark the wall through the pre-drilled holes.

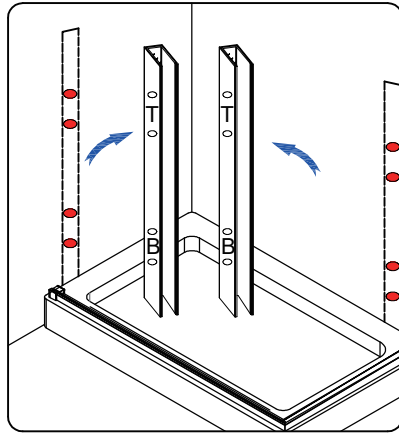
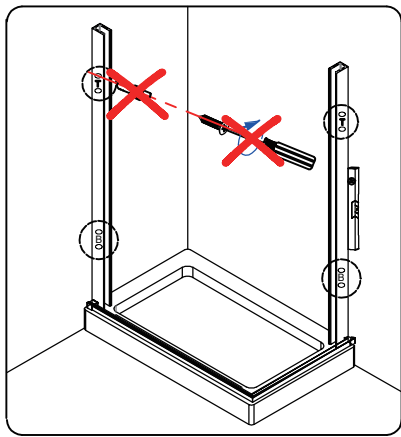


6

Step 8-2



NOTE: Do not fix wall profile as these are the fixing points for the hinges and wall brackets.



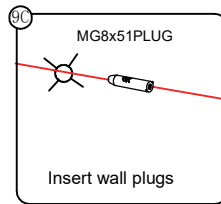
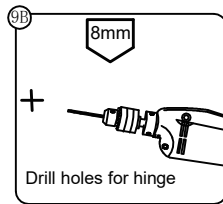
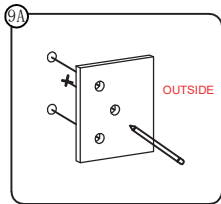
Step 9

Hinged side only ! Remove profile. Take the plastic template and line it up with each set of marks. Mark the third hole.

Note: Make sure the third hole for each hinge is marked towards the outside of the enclosure. Drill holes for the hinge with 8mm masonry bit and insert wall plugs. Ensure wall plugs are flush with the wall.

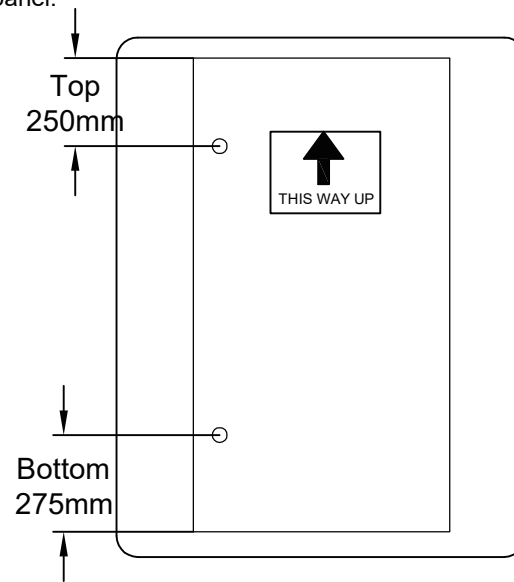


For Side panel do not use plastic template, drill only the holes marked using U profile.



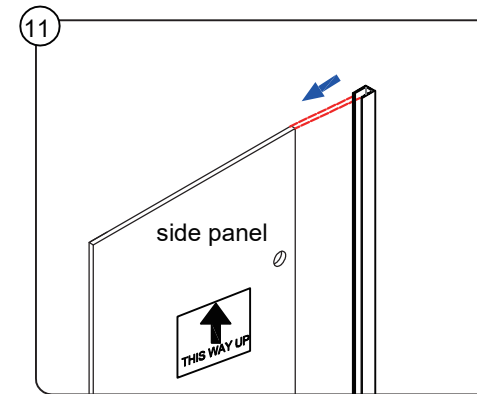
Step 10

Before assembling the brackets to the fixed panel make sure it is orientated the correct way. Measure hole centres from top and bottom to determine correct orientation of panel.



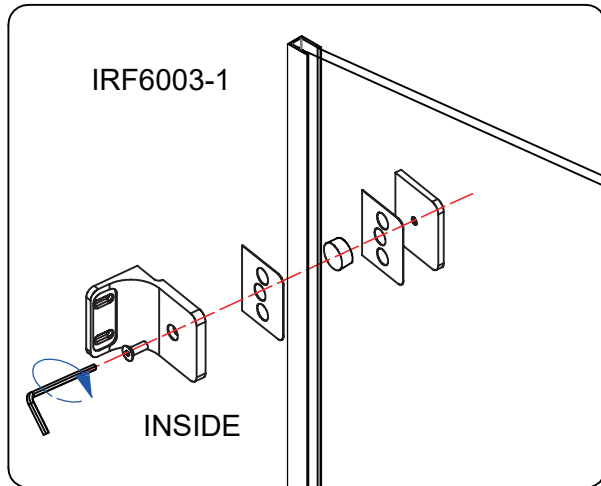
Step 11

Push on wall profile completely ensuring end is flush with the top of the side panel.



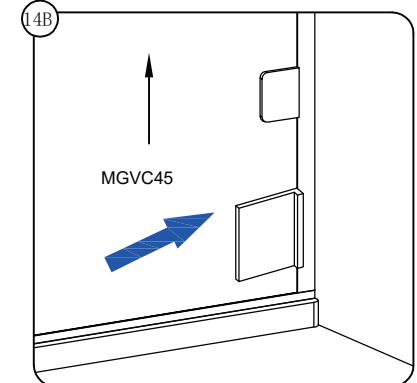
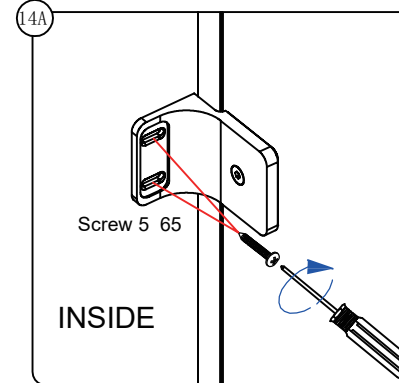
Step 12

Fix wall brackets loosely ensuring fixing holes are to the inside of Inline panel.



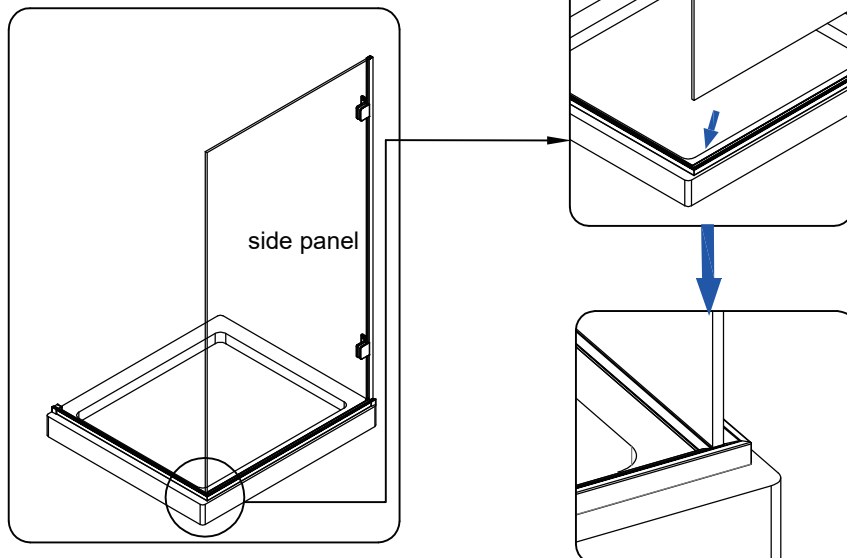
Step 14

Fix wall brackets to the pre drilled holes. Do not fully tighten, leave enough slack for adjustment. Secure top bracket first.
Note: Hold glass panel and gently tap profile back tight against wall using MDF tool provided, working from bottom to top.



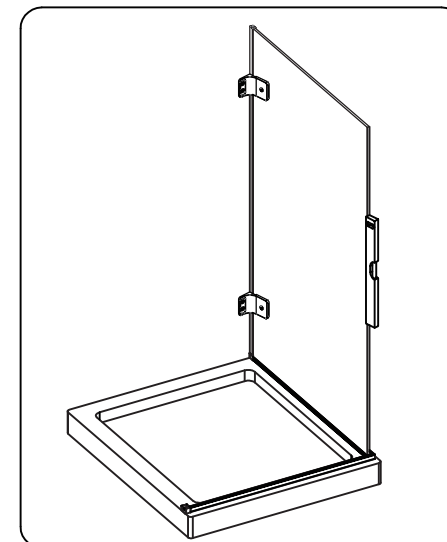
Step 13

Take side panel and insert into bottom track. Make sure edge of the glass panel fits flush against the edge of track.



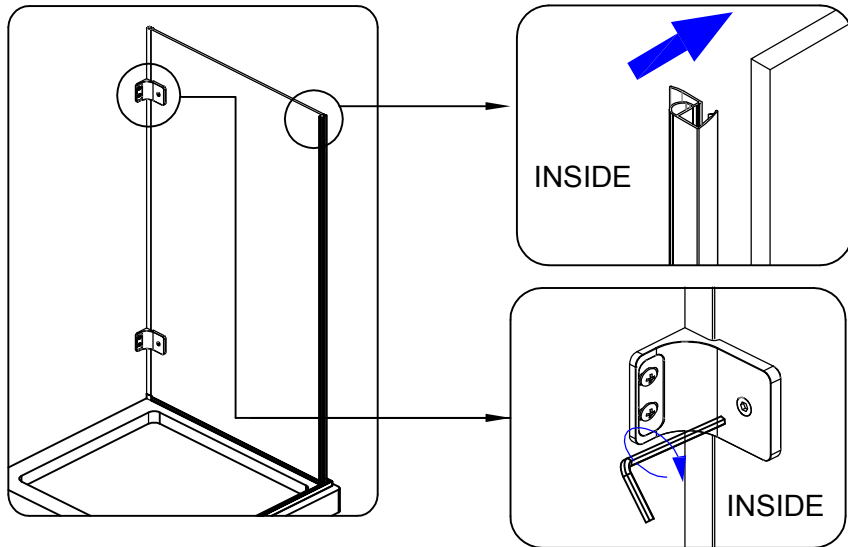
Step 15

Check panel for level and fully tighten screws to wall. Repeat step 14.



Step 16

Fit closing seal MGVC41 to the side panel. Make sure the fin is on the inside.
Using 4mm hex key fully tighten bracket to glass.



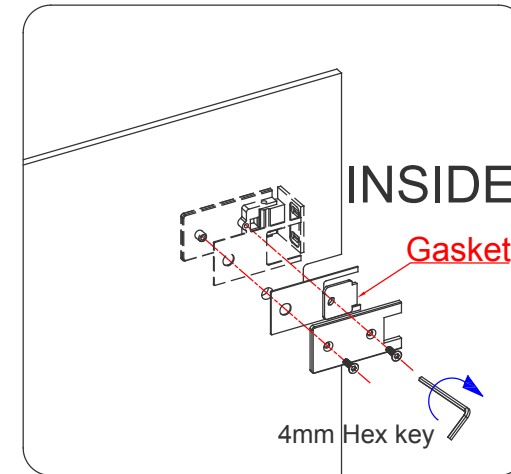
Step 18

Fit hinge to door keeping removable hinge plate to inside of door.

Tip: Use MDF tool for squaring hinges.



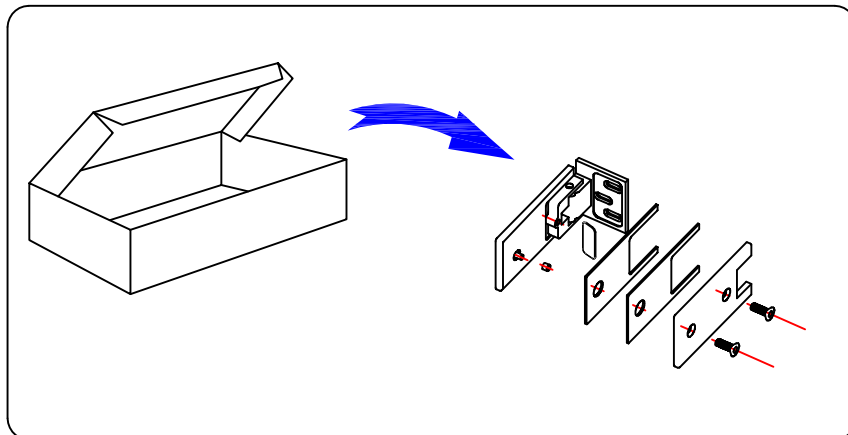
Please note: Place screws and screwdriver inside enclosure as door is fixed from the inside.



Step 17

Please note: Door panel is reversible for left or right handing !

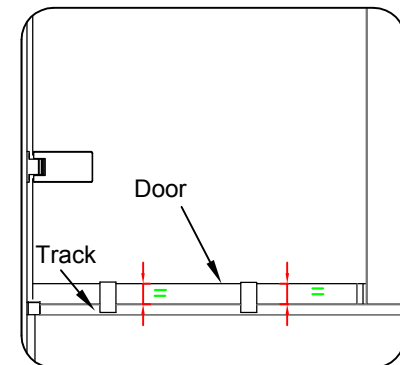
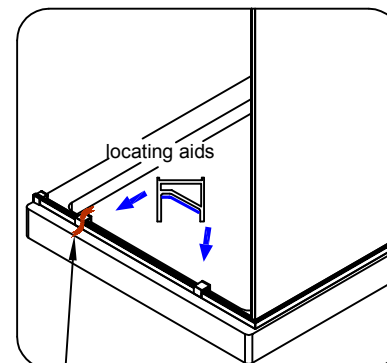
Remove hinge back plate and gasket.



11

Step 19

Place locating aids on threshold, one each side of opening. Lift door onto locating aids.

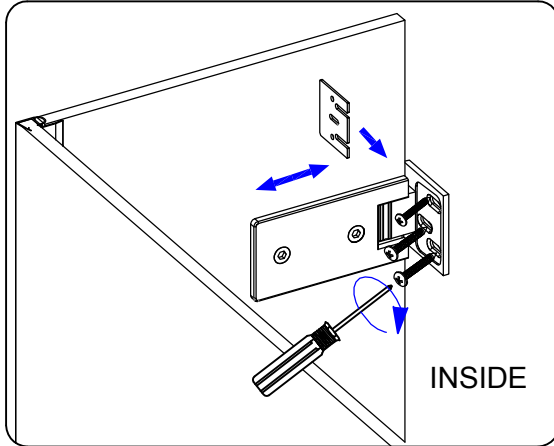


Tip! Hold both locating aids in position with masking tape.

12

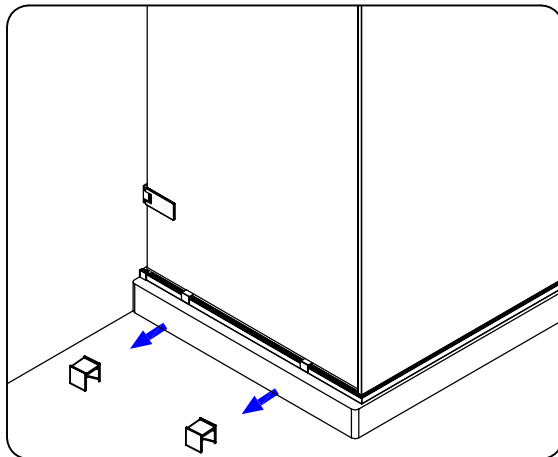
Step 20

Loosely fix hinges to wall starting at the top. If needed insert packers provided behind hinge plate to ensure even gap from top to bottom between closing edge of door and side panel.



Step 21

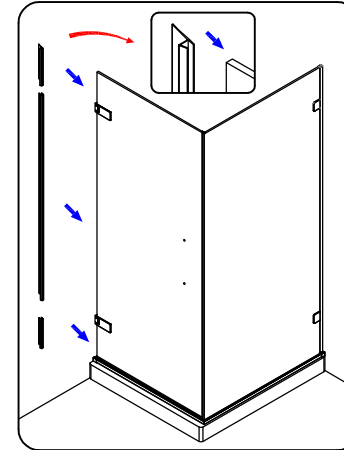
To remove bottom positioning aids open door outwards.



13

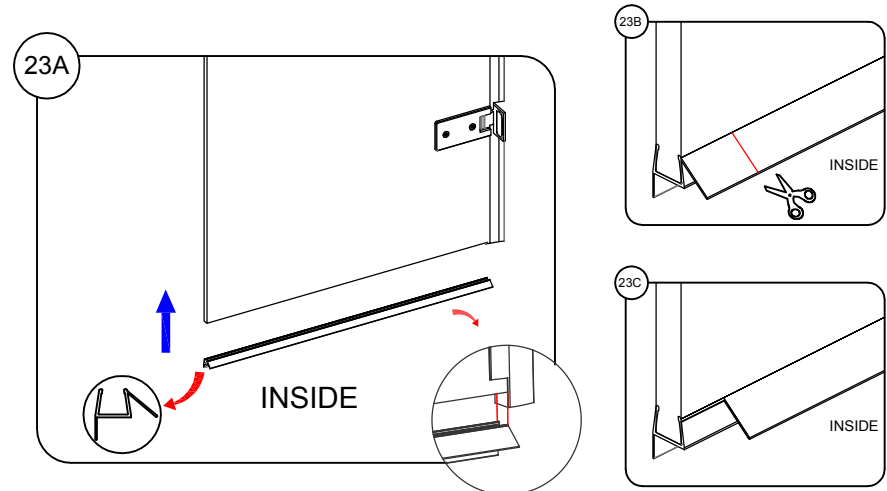
Step 22

Left and right hand seal kits are provided, determine handing and use appropriate seal kit. Left hand model shown below. Push on longest seal between hinges onto back edge of door keeping fin to inside. Take seal with 45° cut and fit to bottom of door keeping 45° cut to bottom. Fit remaining seal to top.



Step 23

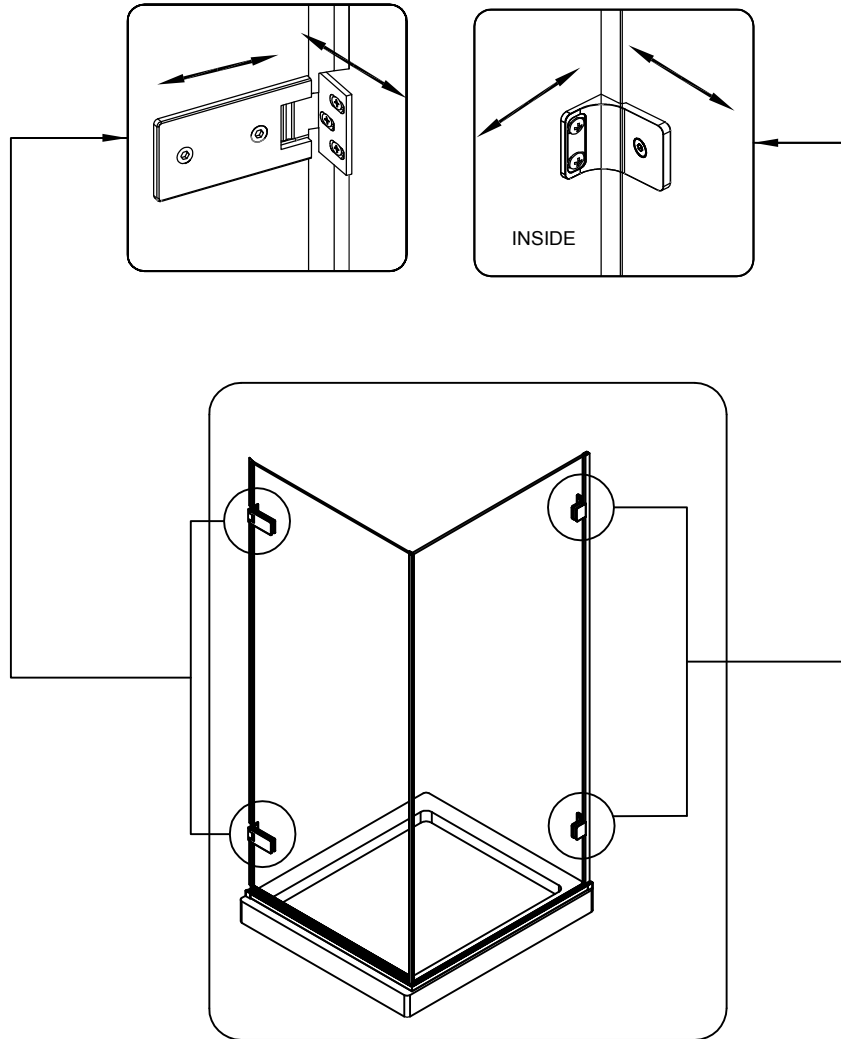
To fit bottom seal push on end with 45° cut tight to corresponding cut in vertical seal. Notch fin to end of bottom seal where it meets the closing seal.



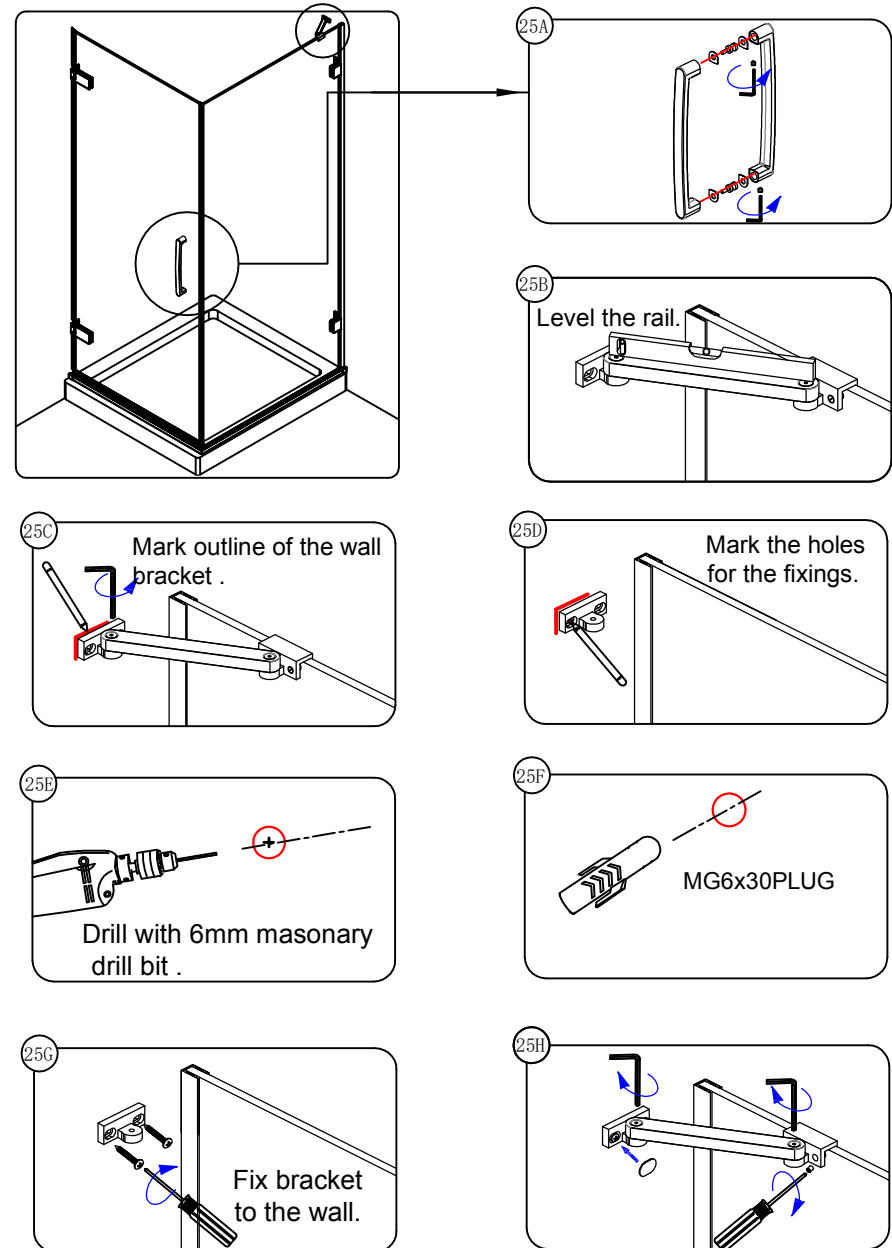
14

Step 24 Adjusting fixed and hinged panels

If after fitting doors and fixed panels and you still need adjustment to align doors etc, you can achieve this by loosening the screws fixing the plate/hinge to the wall and the bolts clamping the bracket/hinge to the glass. Adjust the panels until the desired fit is achieved. Fully tighten all fixings.



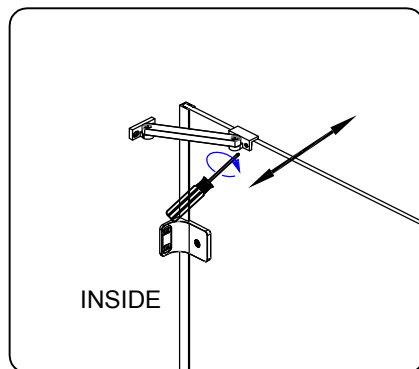
Step 25 Fix the top rail and the handle.



Step 26 Additional adjustment

Where an angled bracing bar is fitted additional adjustment can be made by:

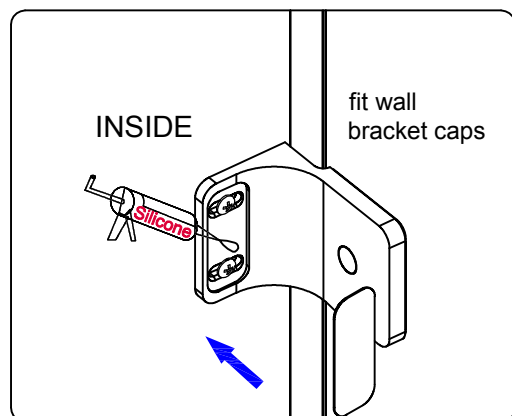
- 1) Loosen the 2 screws clamping the glass.
- 2) Move the glass panel in the direction required(see arrow).
- 3) Tighten the 2 screws.



Step 27 Fitting cover caps.

Fitting cover caps. Peel off protective strip to adhesive tape to back of cap and firmly press in position .

Tip : We recommend that you place a dab of silicone to the back of the cover caps at each end of the tape.



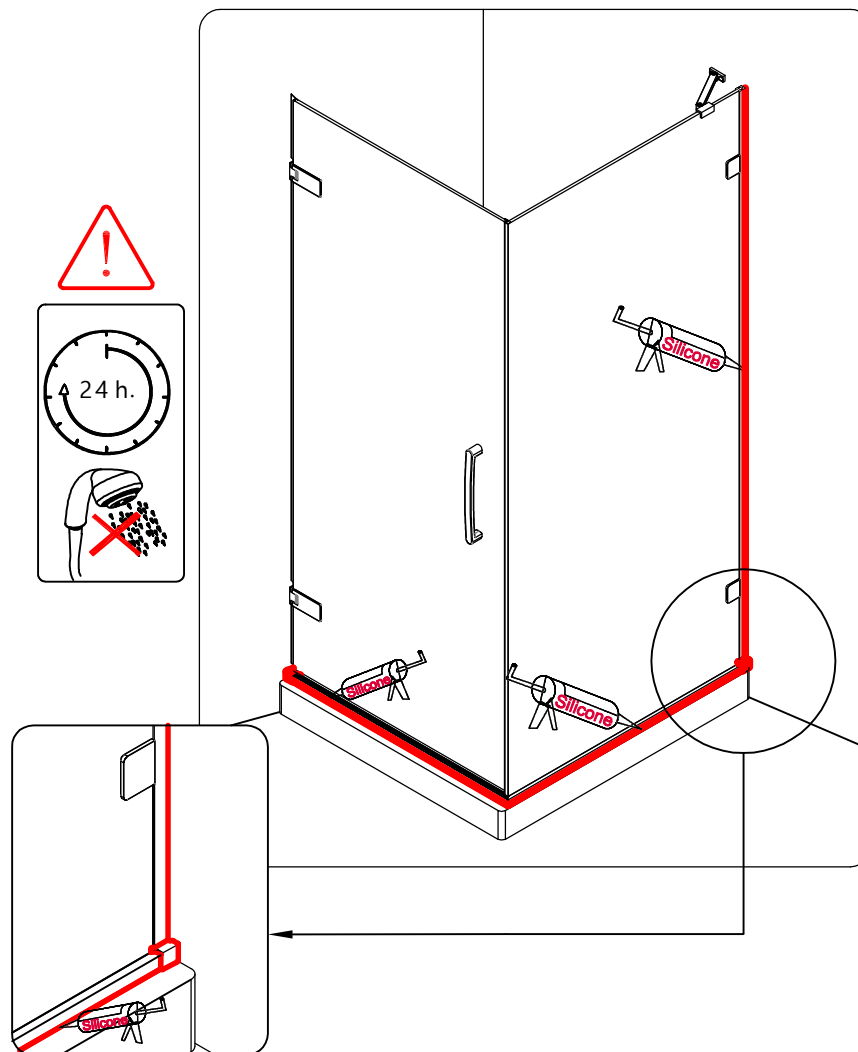
17

Step 30 Sealing your enclosure.

Make sure all surfaces are thoroughly cleaned and dry before applying sealant.

Only seal the outside of the enclosure(red line). Do not seal the inside.

Seal vertically along the wall, along the outside edge of the bottom profile and any joints in the profile, including where the bottom track meets the end brackets.



18