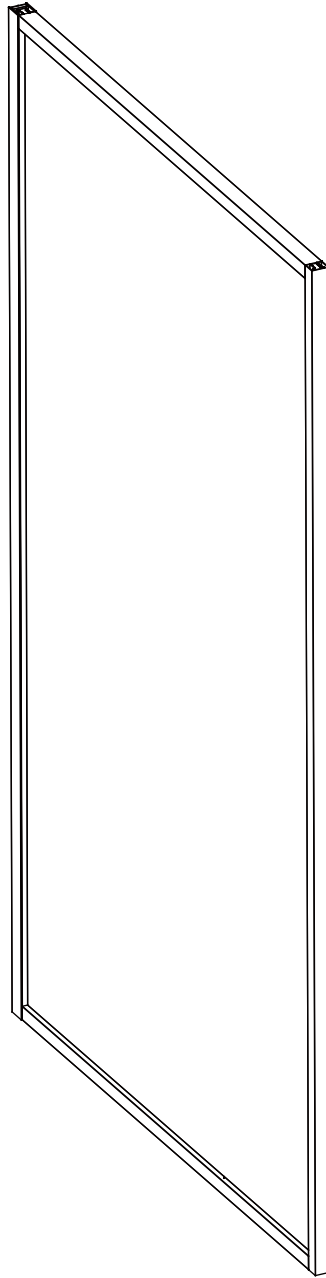


# MERLYN™ | Bath Screens

## MB14 FRAMED FIXED PANEL BATH SCREEN



## INSTALLATION INSTRUCTIONS

**IMPORTANT:**  
Please read the complete instructions  
before commencing fitting.

Do Not attempt to install the product unless you can tick all 4 boxes satisfactorily.

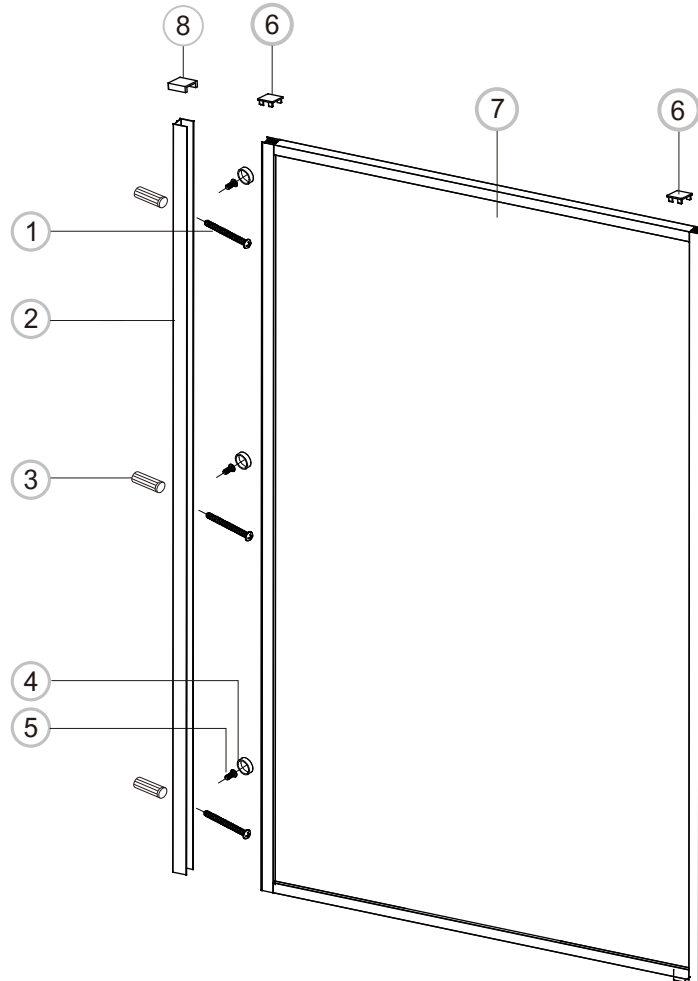
- Check that you have the tools required
- Check the installation site is compatible with the size of bath screen supplied
- Check all the bath screen components are present
- Check the installation kit is complete

If you install the product in a way that differs from this manual this will void all guarantees. Before installation check that the product meets all your requirements and is not damaged. By proceeding with installation, you accept the condition of the product.

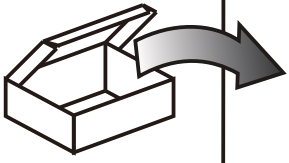
The wall plugs supplied with the installation kit are for use in solid walls. Hollow or 'stud partition' walls will require alternative fixings. Please consult a hardware supplier for the correct type. It may also be necessary to consult your tiling supplier about the correct method for drilling your tiles.

Size	Adjustment
800	775-790

# COMPONENTS AND BOX CONTENTS



No.	Qty	PART DESCRIPTION	MATT BLACK	BRUSHED BRASS	BRUSHED BRONZE
1	3	Wall Screw ST4x30mm	SP02SY51	SP02SY51	SP02SY51
2	1	Wall Profile	B0041MB	B0041BBR	B0041BBZ
3	3	Wall Plug Ø6	SP02SP12	SP02SP12	SP02SP12
4	3	Screw Cover Cap	BLKFSCRWCAP	B0023BBR	B0023BBZ
5	3	Frame Fixing Screw	BLKFFFSCRW	BLKFFFSCRW	BLKFFFSCRW
6	2	Upright Profile Cover Cap	BLKFUPCAP	N/A	N/A
7	1	Wall Profile Cover Cap	BLKFWPCAP	N/A	N/A
8	1	Framed Glass Panel	A	A	A



### Fixing Kit components



SP02SY51 x 3



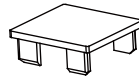
SP02SP12 x3



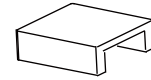
BLKFFFCSCRW x 3



BLKFSCRWCAP x3  
B0017 x3  
B0023BBR x3  
B0023BBZ x3



BLKFUPCAP  
X 2



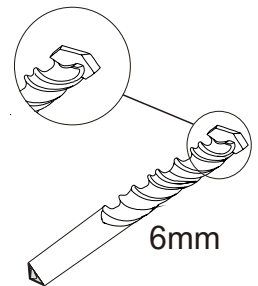
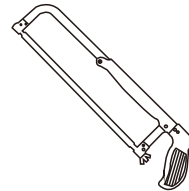
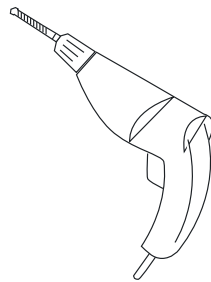
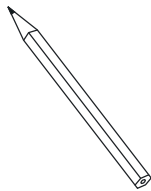
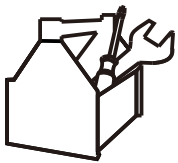
BLKFWPCAP  
X 1

#### NOTE:

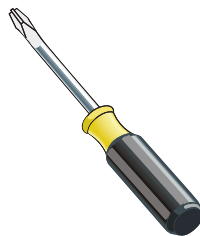
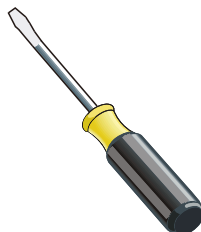
Matt Black Colour Finish = MB/BLK

Brushed Brass Colour Finish = BBR

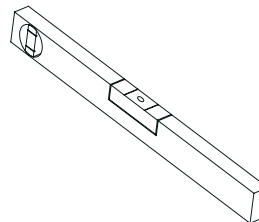
Brushed Bronze Colour Finish = BBZ



6mm



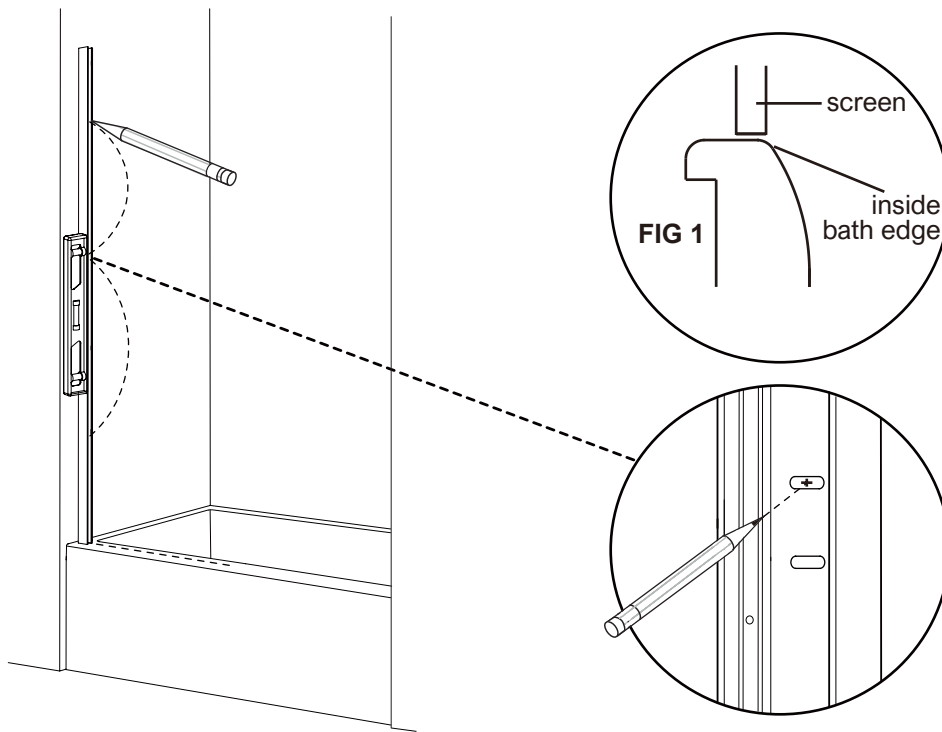
PH2



## IMPORTANT – Installation Site

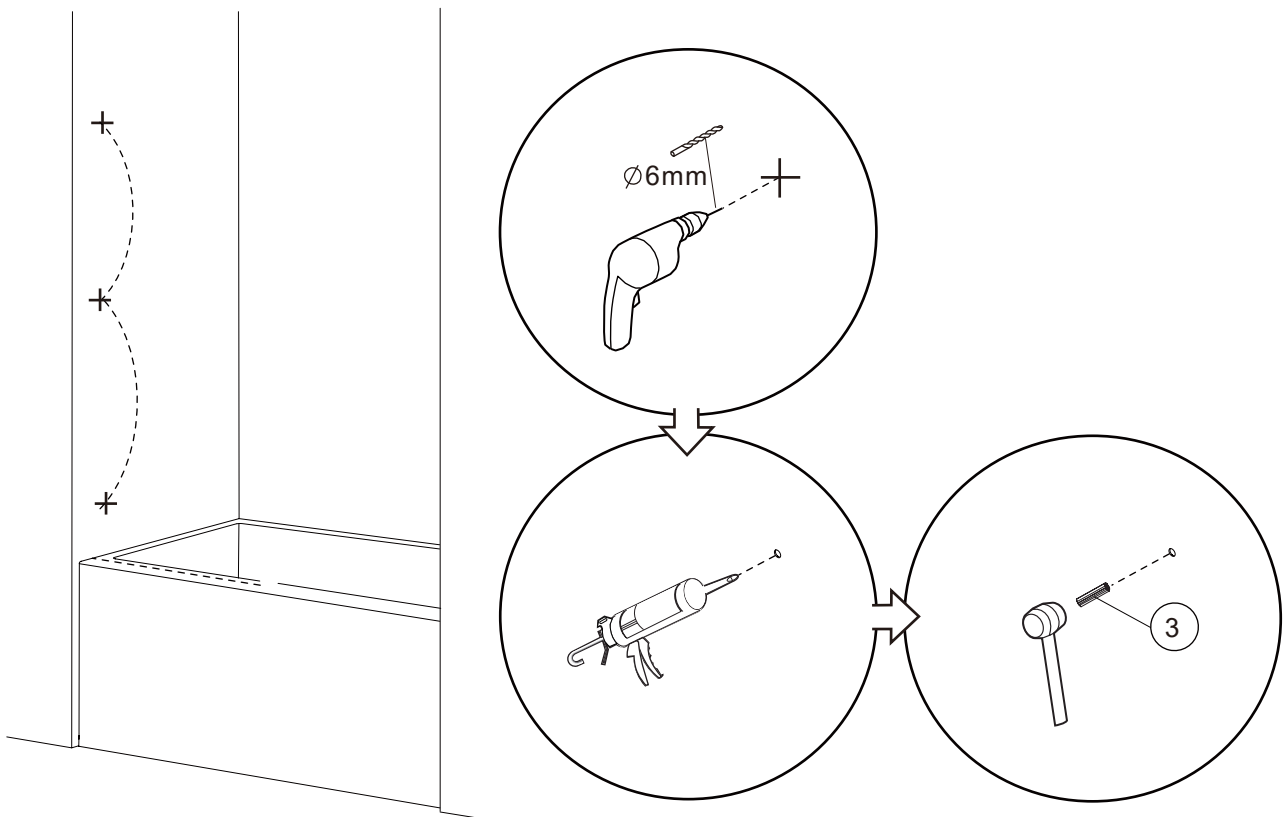
1. Ensure your bath is level before fitting. This screen is not designed to fit on baths with stepped fronts, roll top rims or integral soap dishes.
2. The tiling or other wall finishing should be effectively sealed at the bath edges.

Position the wall profile so the fixed panel sits on the inside edge of the bath, Fig 1. Ensure the wall profile is level and mark the location of the 3 wall jamb holes on the wall.



1

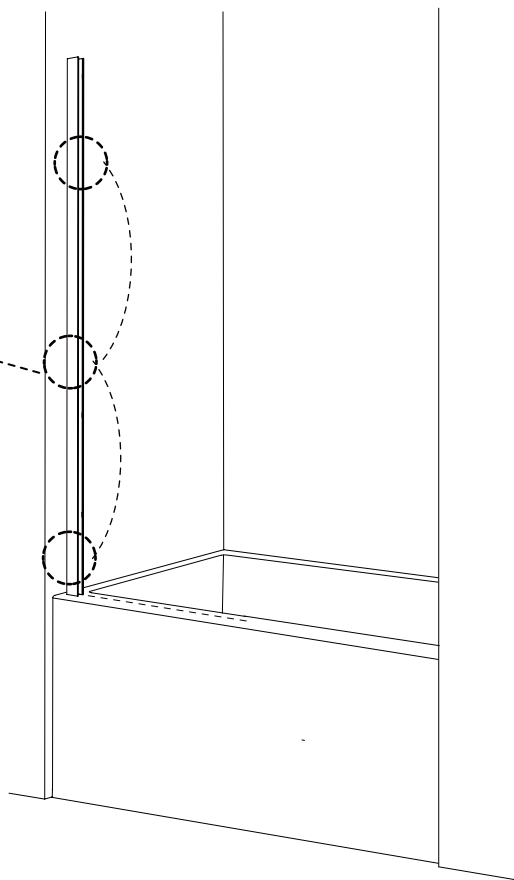
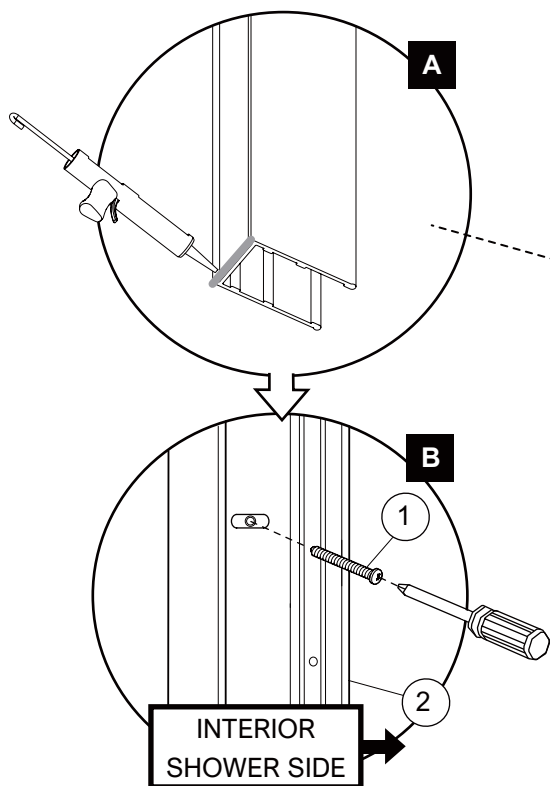
Drill, silicone and install the wall plugs in the wall.



2

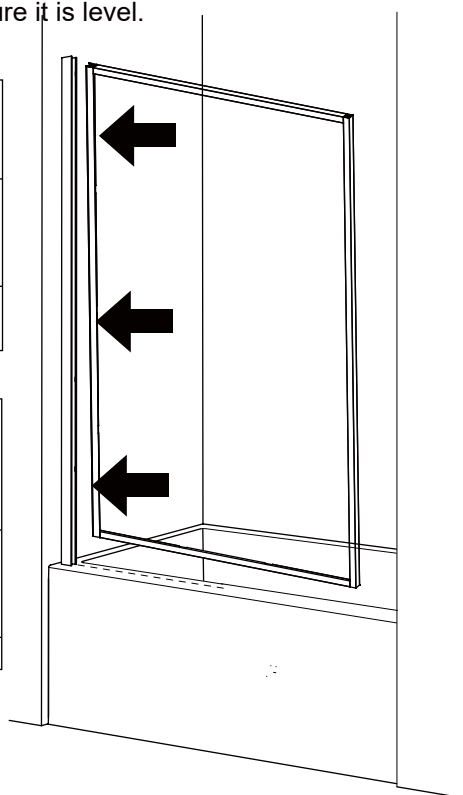
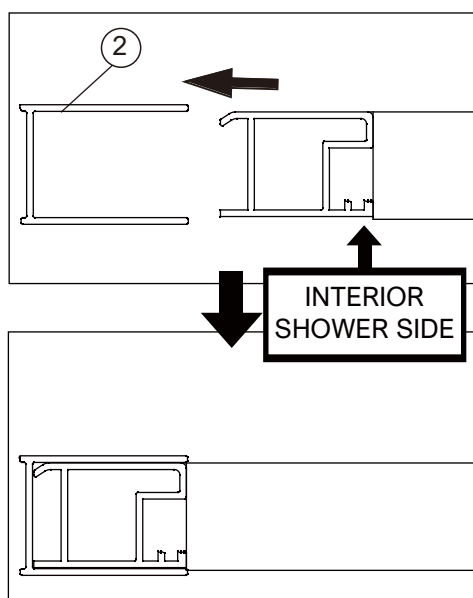
4

Secure the wall profile to the wall using the wall fixing screws.



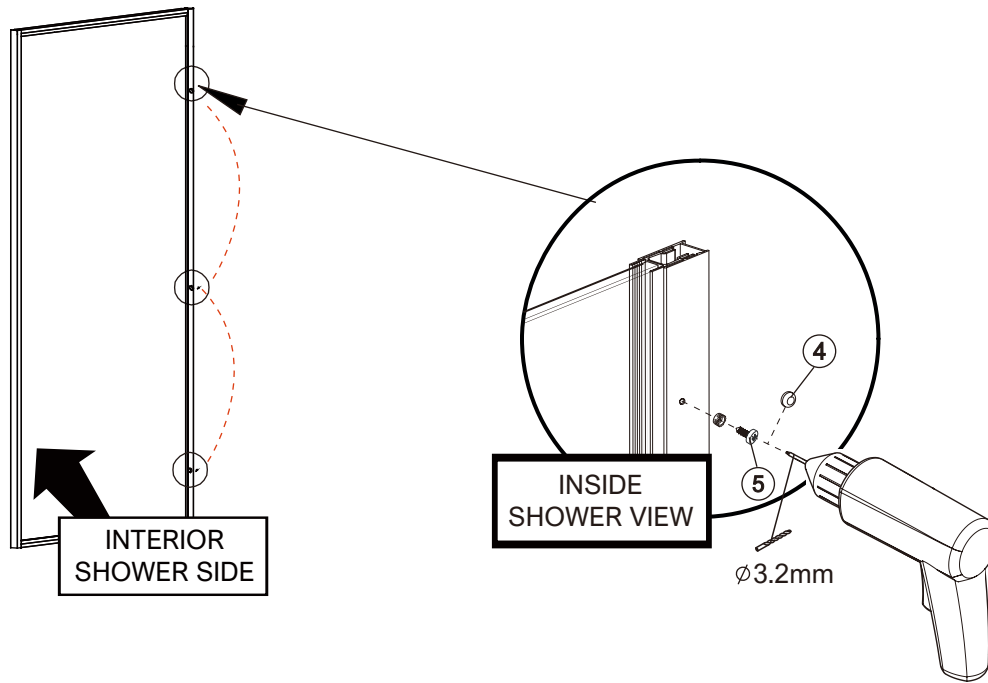
3

Slide the bath screen panel into the wall profile and ensure it is level.



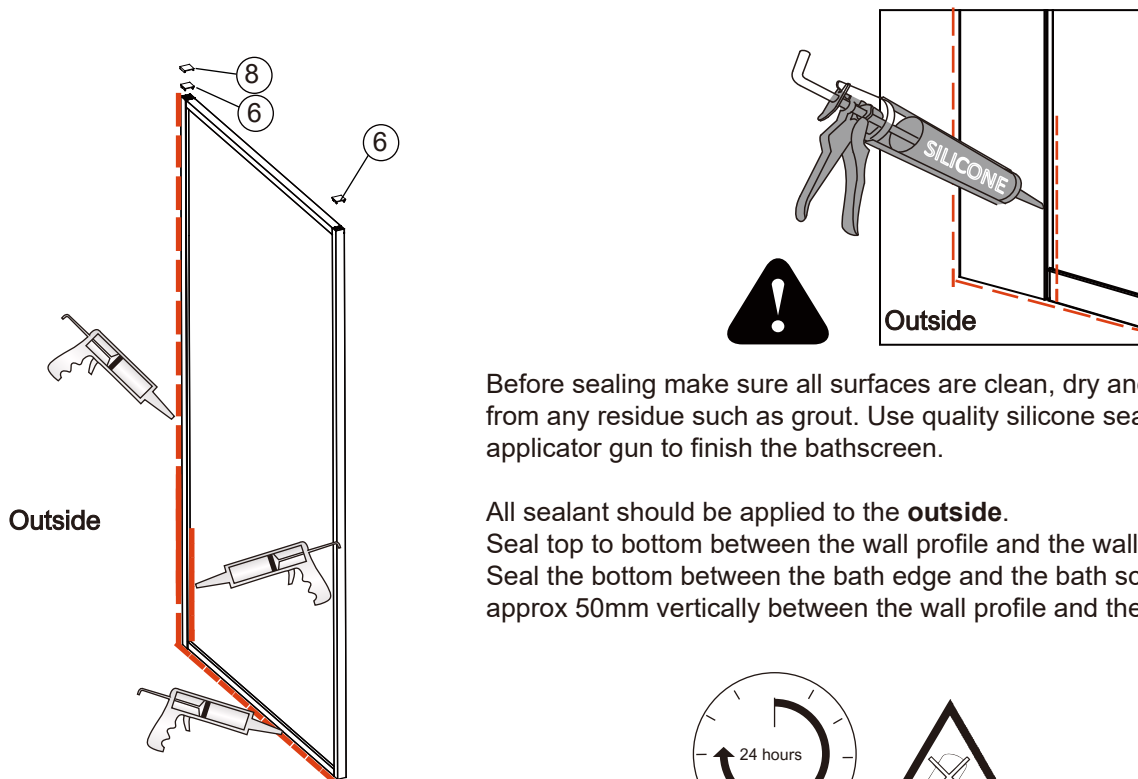
4

Adjust the framed bath screen ensuring it is level. Drill 3 equally spaced holes, top, middle and bottom, through the wall profile and fixed panel using a 3mm steel drill bit. Using the screw cover cap clip and fixing screws fix the upright profile to the wall profile then fit the screw cover caps.



6

Fit the profile cover caps and seal the bath screen as outlined below.



Before sealing make sure all surfaces are clean, dry and free from any residue such as grout. Use quality silicone sealant and applicator gun to finish the bathscreen.

All sealant should be applied to the **outside**. Seal top to bottom between the wall profile and the wall. Seal the bottom between the bath edge and the bath screen, and approx 50mm vertically between the wall profile and the glass.



Allow 24 hours for silicone to dry before use.

7

6

To download the Declaration of Performance (DOP) for this product please use the link below.

<http://merlynshowering.com/aftersales-support/dop-certs/>

For further information please contact IRL: 056 7791 555, UK: 08081011429